

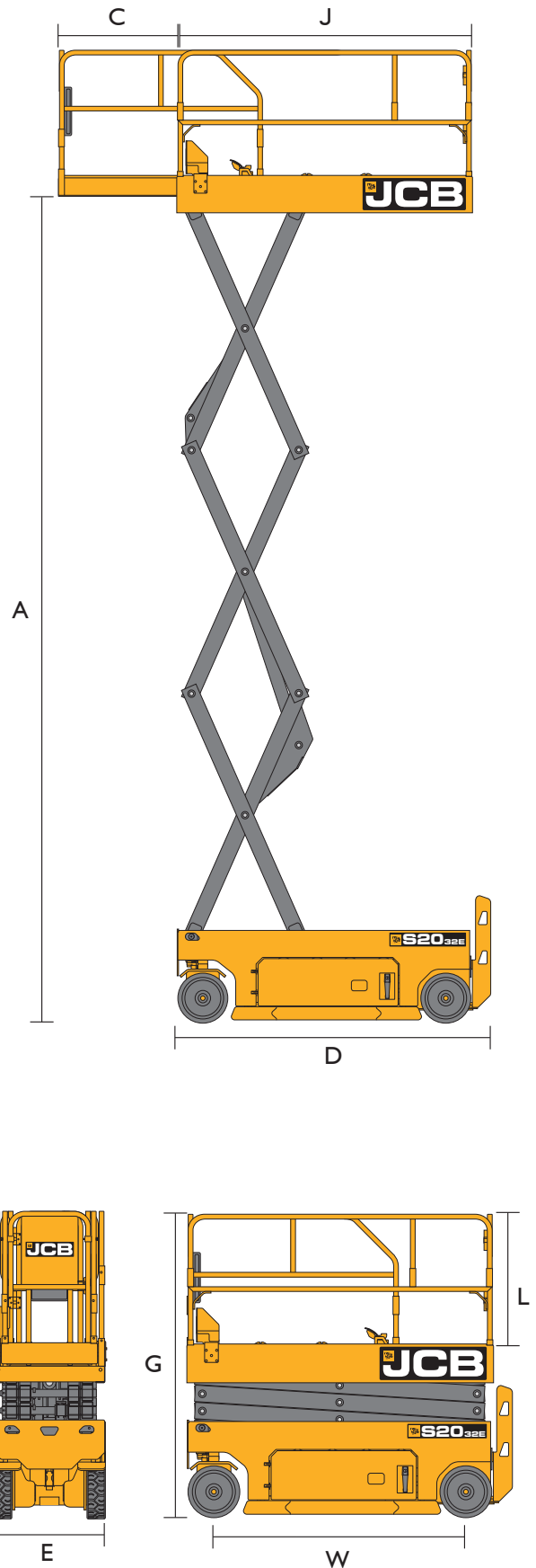
ELECTRIC SCISSOR S2032E



MACHINE SPECIFICATIONS

A	Max. Platform Height	m / ft ins	6.3 / 20'8"
B	Max. Working Height	m / ft ins	8.3 / 26'8"
C	Extension Outreach	m / ins	0.9 / 35
D	Length (Stowed)	m / ft ins	2.39 / 7'10"
E	Width (Stowed)	m / ft ins	0.81 / 2'8"
F	Height (Stowed, Guardrails Folded)	m / ft ins	1.83 / 6'0"
G	Height (Stowed, Guardrails Unfolded)	m / ft ins	2.22 / 7'3"
H	Weight	kg / lbs	1,834 / 4,044
I	Max. Wheel Loading	kg / lbs	980 / 2,161
J	Platform Length	m / ins	2.25 / 89
K	Platform Width	m / ins	0.81 / 32
L	Platform Height	m / ins	1.10 / 43
M	Load Capacity	kg / lbs	380 / 840
N	Extension Deck Load Capacity	kg / lbs	120 / 265
O	Max. Platform Occupants (Outdoor)		1
P	Max. Platform Occupants (Indoor)		2
Q	Max. Allowable Side Force (Indoor)	N / lbf	400 / 90
R	Max. Allowable Side Force (Outdoor)	N / lbf	200 / 45
S	Max. Allowable Wind Speed (Outdoor)	m/s / mph	12.5 / 28
T	Max. Allowable Slope (Front / Back)	°	3
U	Max. Allowable Slope (Side / Side)	°	1.5
V	Ground Clearance (Stowed)	m / ins	0.1 / 4"
W	Wheelbase	m / ins	1.85 / 73"
X	Turning Radius (Outside)	m / ft ins	2.1 / 6'11"
Y	Turning Radius (Inside)	m / ins	0
Z	Gradeability	%	25
AA	Max. Driving Speed (Stowed)	km/h / mph	3.2 / 2
AB	Max. Driving Speed (Raised)	km/h / mph	0.8 / 0.5
AC	Rising Speed (Loaded)	s	25~30
AD	Falling Speed (Loaded)	s	30~35
AE	Solid Tyre Dimensions	mm	380 x125
AF	Solid Tyre Dimensions	ins	15 x 5
AG	Hydraulic System Volume	L / gal	18 / 4.75
AH	Hydraulic System Pressure	Mpa	24
AI	Battery (Voltage)	V	6
AJ	Battery (QTY)		4
AK	Battery (Ah)	Ah	225
AL	Power Unit (DC)	V / Kw	24 / 3.3
AM	Charger Input / Output Voltage	V	120~240 / 25
AN	Drive & Steer Mode		Front WD, 2WS
AO	Brake		Rear 2

WORK ENVELOPE



NOTES

*Machine weight may vary with regional requirements and specific options.